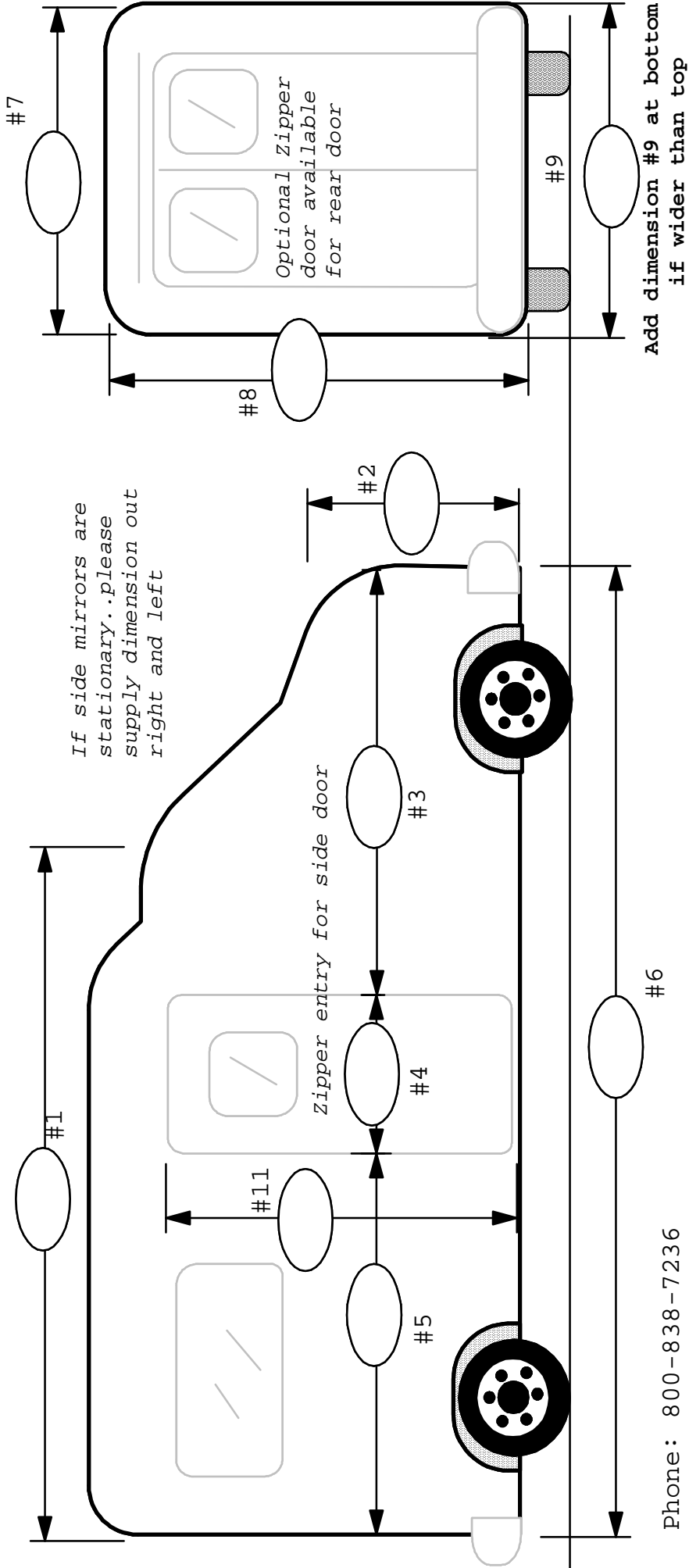


Roadtrek Confirming Template CalMark Cover Company



Phone: 800-838-7236
 Fax: 805-486-4760
 calmarkcover-doug@verizon.net

If front end is narrower than main cabin please enter dimensions

NOTE: Please measure as close as possible don't add extra we add extra during manufacture for a good fit.

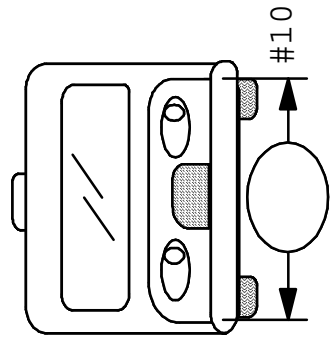
An Old Tailor Motto
 "Measure twice, cut once"

Do not include the bumper, ladder, spare tire.

Please Check Below Yes or No

- A/C Yes ___ No ___
- Ladder Yes ___ No ___
- Awning Yes ___ No ___
- Sat. Dish Yes ___ No ___
- Maxxair Vent Cover? Yes ___ No ___
- ??What is Maxxair Vent Cover?.. <http://www.maxxair.com>

Customer Name: _____
 Date: _____



FAX COVER SHEET

PLEASE SEND WITH TEMPLATE MEASUREMENTS

CALMARK COVER COMPANY

Fax: 814-686-1749

Toll Free Phone: 866-900-7335

calmarkcover-doug@verizon.net

Customer information Semi - Custom Cover

~~~~~

It is important that measurements be accurate as possible.  
Do not rely on manufacturers brochure measurements!

The CalMark Semi-Custom Cover is cut to the Length, Width and Height of your RV.  
**DO NOT** make any extra allowances let us do that.

Old tailor rule:

**“Measure twice, cut once!”**

**FOR BEST LEGIBILITY - PLEASE USE BLACK PEN TO FILL OUT TEMPLATE AND FORM FOR FAXING**

Customer Name: \_\_\_\_\_ Street Address: \_\_\_\_\_

City: \_\_\_\_\_ State: \_\_\_\_\_ Zip: \_\_\_\_\_ Email Address: \_\_\_\_\_

Phone No: \_\_\_\_\_ Fax No. \_\_\_\_\_ Type RV \_\_\_\_\_

Make of RV: \_\_\_\_\_ Model/Year: \_\_\_\_\_ Length: \_\_\_\_\_

Special exterior equipment installed: (Circle below)

**A/C (1) (2) Yes No    AWNING Yes No    Satellite Antenna Yes No    Other (list below)**

**List extra options not listed or special instruction here:** (special hi-profile vent covers?)

\_\_\_\_\_

Visa – M/C – Disc. C/C# \_\_\_\_\_ Exp. \_\_\_\_\_ Cvv# \_\_\_\_\_ (3 digit Sec.#)

NOTE: If you prefer you can contact us at Toll Free 800-838-7236 when ready to order.

Each Calmark Cover is made on order for best fit  
**Fabrics available:**

**Sunbrella®** - Full 6 year Warranty - Best cover fabric recommended for best outdoor exposure

**All Calmark Covers include FSR (Fabric Stress Reinforcement)  
construction and Zipper Door as standard features**

**Thank You – CalMark Cover Company**

Update: 9/2008