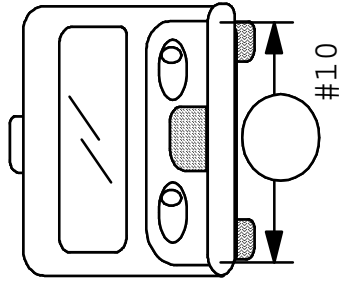
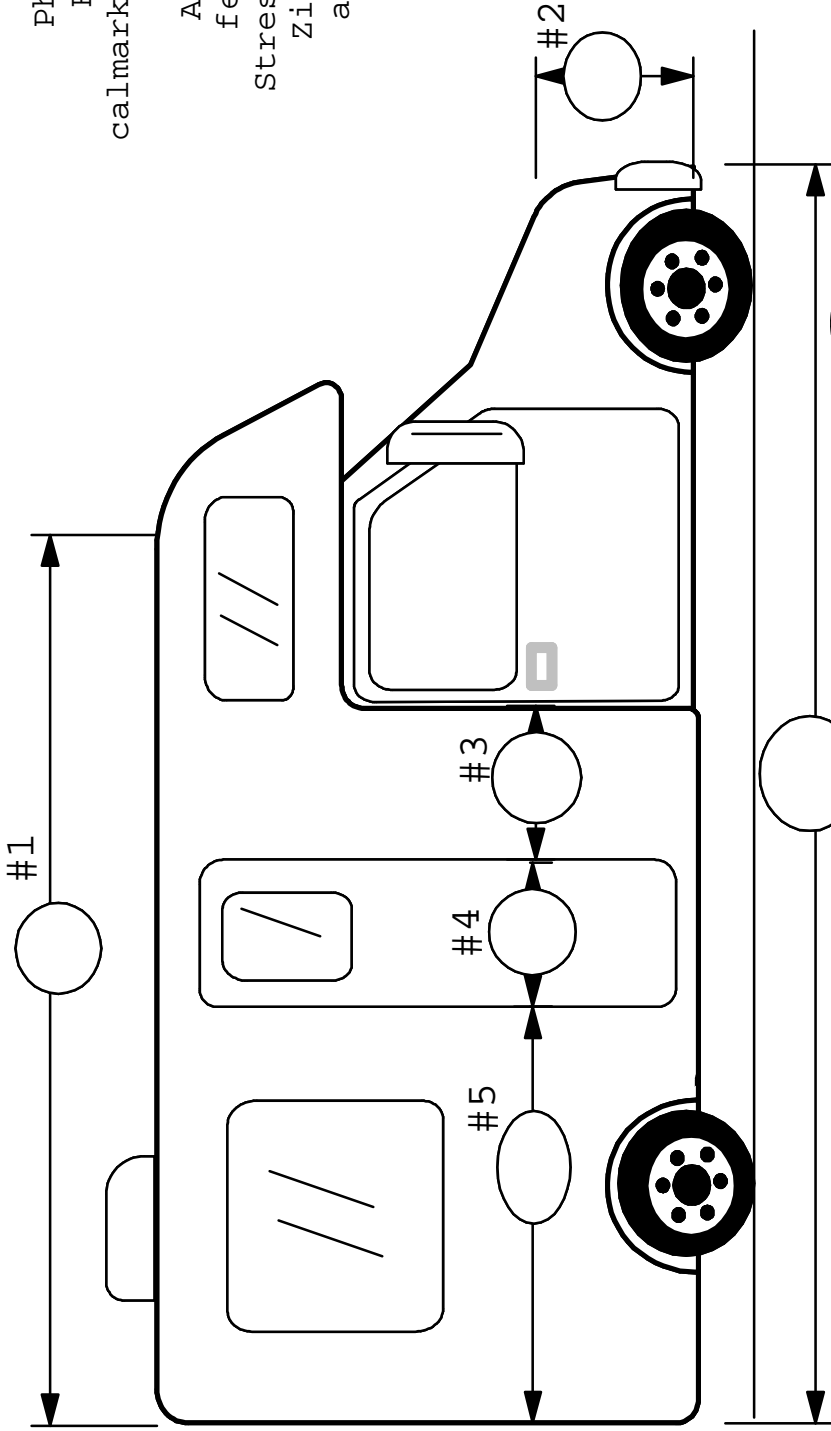


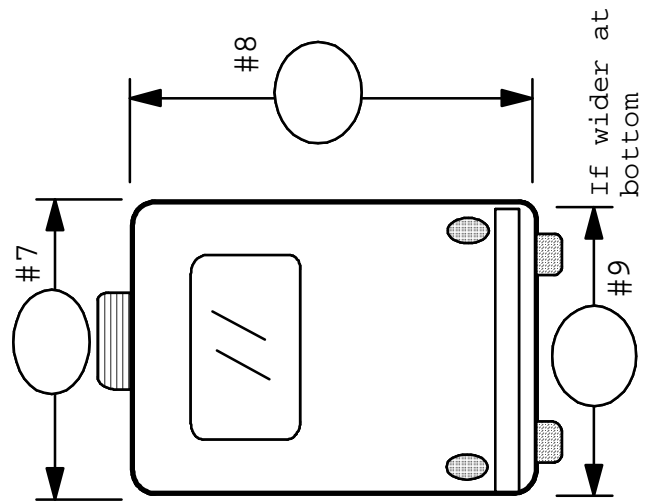
Motor Home (Class C) Cover Template CalMark Cover Company

Phone: 800-838-7236
 Fax: 805-486-4760
 calmarkcover-doug@verizon.net

All Calmark Covers feature FSR (Fabric Stress Reinforcement) and Zipper Door for easy access when covered



If front end is narrower than cabin please enter dimensions at #10



NOTE: Please measure as close as possible don't add extra we add extra during manufacture for a good fit.

An Old Tailor Motto "Measure twice, cut once"
 Do not include the bumper, ladder, spare tire, or propane tank in your measurement.

A/C Yes ___ No ___
 Ladder Yes ___ No ___
 Awning Yes ___ No ___
 Sat. Dish Yes ___ No ___
 Maxxair Vent Cover? Yes ___ No ___
 ??What is Maxxair Vent Cover?.. http://www.maxxair.com

Customer Name: _____
 Date: _____