

Note: Add Total measurements #3, 5, & 7 SHOULD BE THE SAME as #9

PLEASE CHECK YES OR NO QUESTIONS BELOW

- A/C (1)(2) Yes ___ No ___
- Ladder Yes ___ No ___
- Awning Yes ___ No ___
- Sat. Dish Yes ___ No ___
- Misc. Ext. Equipment: _____

Customer Name _____

NOTE: Please measure as close as possible don't add extra we add extra during manufacture for a good fit.

DO NOT include the bumper, ladder, spare tire, or propane tank in your measurement.

Place dimension in appropriate bubble

An Old Tailor Rule

"Measure twice, cut once"

PLEASE FILL OUT 2ND PAGE CUSTOMER INFORMATION AND FORWARD WITH DIMENSIONS

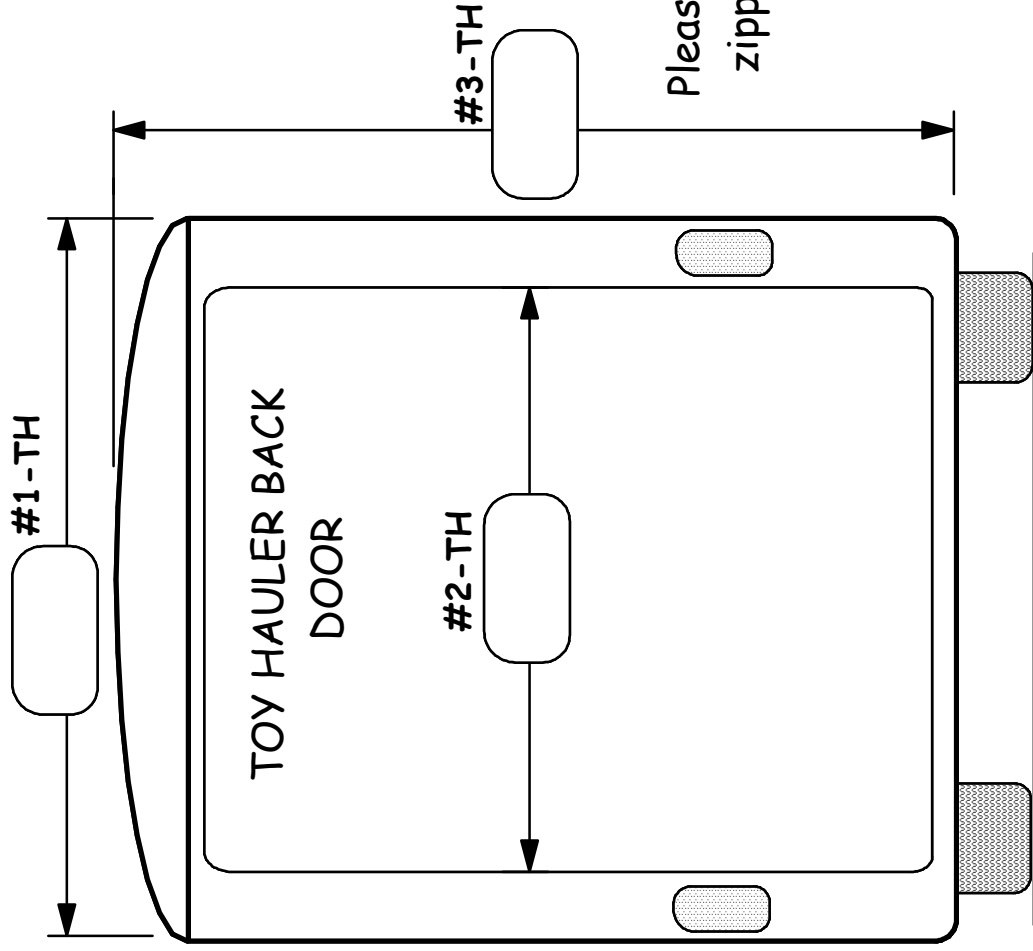
Toy Hauler Back for cover template

CalMark Cover Company

Phone: 814-686-0144

Fax: 814-686-1749

Email: info@calmarkcovers.com



If Toy Hauler - Please complete template and forward with Trailer or 5th wheel dimensions

Please let us know if you want a zipper door for the rear door Option!

Please measure accurately
Do not rely on manufactures brochure for measurements